

MANUAL
LIVING SOFAS

Century

Summary

COMFORT TECHNOLOGIES AND GUIDELINES	3
• SLIM ®.....	3
• EasyFit ®.....	3
• COZY ®	3
1. TECHNICAL INSTRUCTIONS AND CARE.....	4
1.1 Instructions for receipt, transportation, and use.....	4
1.2 Instructions for leftover fabric.....	7
1.3 Pillow instructions.....	7
1.4 Anti-slip and loose backrest instructions.....	7
2. CONNECTORS	9
2.1 Snap Connector.....	9
2.2 Male/Female	10
2.3 Cross Arm Brace Connector.....	11
2.4 Threaded Rod	12
3. LEGS AND BASE.....	13
3.1 Legs.....	13
3.2 Base	13
4. HOW TO MEASURE YOUR LIVING ROOM SOFA.....	14

COMFORT TECHNOLOGIES AND GUIDELINES

- **SLIM®**

A sofa with upright ergonomics is ideal for lobbies, halls, waiting rooms, and corporate environments.

Features:

SLIM® by Century sofas will always have an aligned appearance. When the user gets up, the sofa will return to the initial appearance of a smooth, straight sofa. SLIM® sofa cushions may become less full-bodied over time.

- **EasyFit®**

The ideal sofa for hectic, dynamic day-to-day life, it provides ergonomics for different moments. It is a highly versatile product used in environments with multiple styles and functionalities.

Features:

EasyFit® by Century sofas keep the seat aligned when you stand up, giving the product a "tidy" look. However, the sofa may become rough or have a "crumpled" appearance over time. To prolong the product's rectilinear appearance, the cushions should be adjusted periodically to return to a more aligned and intact shape. Over time, loose cushions can become a little crumpled and less full-bodied, and they should be adjusted to prolong their useful life.

- **COZY®**

A sofa that provides perfect ergonomics for decompression and relaxation moments, with deep, relaxed seating.

Features:

Cozy® by Century sofa will always have a rough appearance when the user gets up, with a rough crumple. This is part of the product! You need to give your cushions a feel when they are out of alignment, adjusting the inner foam over time. Your cushions may look crumpled during everyday life.

For more information on Century comfort styles, visit the Comfort Guide: meucentury.com/en/comfort-guide/.

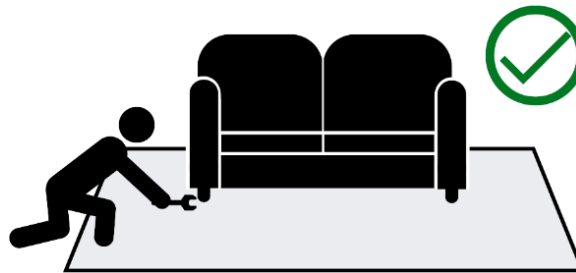
1. TECHNICAL INSTRUCTIONS AND CARE

1.1 Instructions for receipt, transportation, and use

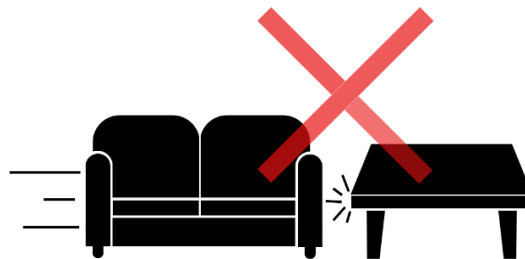
- Check that the product has arrived in good condition and, in case of any discrepancy or damage, contact the supplier promptly.



- If feet or bases are sent separately, check that the number of arrows corresponds to the number of fittings on the accessories received.
- It is advisable to line the floor before attaching the feet or base to prevent damage to the product.



- Avoid hitting and resting the product on sharp objects.



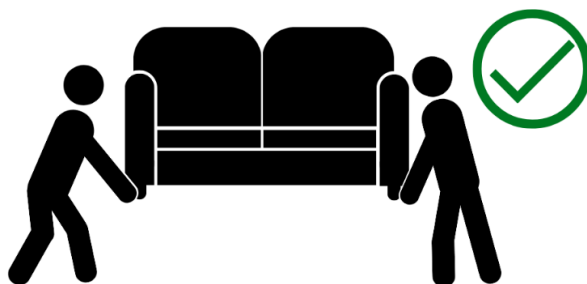
- Avoid sitting on the arms and backrests and jumping on the product.



- Do not use the product as a support or ladder.



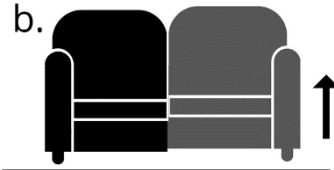
- Only move the sofa with the help of another person, lifting it by the edges.



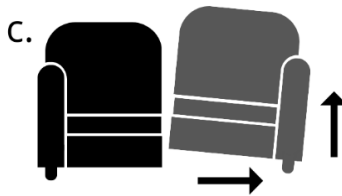
- In the case of separate modules, with the help of another person, unhook and transport each module individually, always lifting them by their ends.



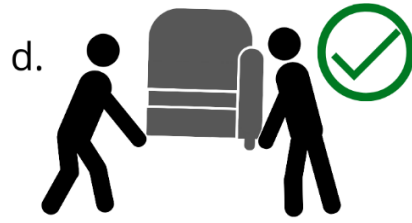
Identify the coupling and the separation of the modules.



Lift one of the modules so that it disconnects the coupling.



After releasing the coupling, separate the modules.



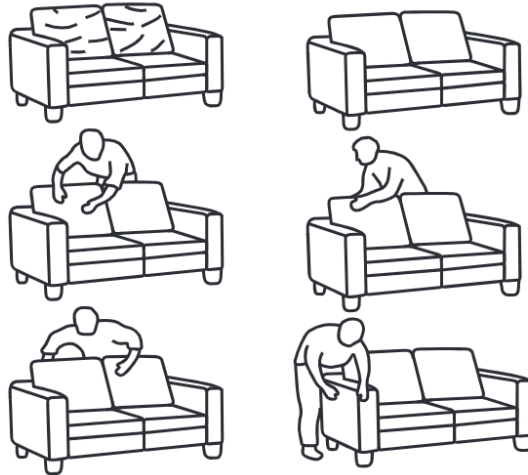
Move it with the help of another person.

- Do not drag, pull, or lift only one side of the product to move it.



1.2 Instructions for excess of fabric

Some fabrics generate over time excess material more easily, which is not considered a defect. When you identify leftovers, smooth the fabric's surface so they are less apparent.



1.3 Pillow instructions

Your sofa cushions have different types of filling, such as goose down and fiber. Over time, the filling can accumulate in the central part of the cushion, creating a shapeless appearance, the material accumulates in specific parts and is not evenly distributed. To prolong the product's life, it is recommended to press the middle of the cushion repeatedly to distribute the filling.

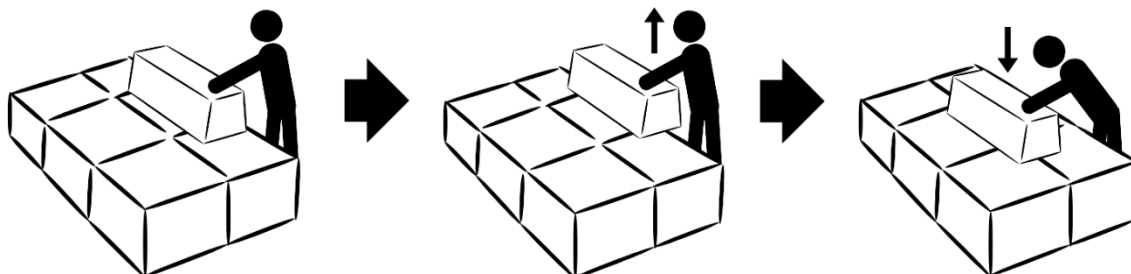


Lightly tap your pillow to bring it back into alignment.

1.4 Anti-slip and loose backrest instructions

- The loose backrests are made of non-slip fabric to secure the backrest to the seat by friction.
- The anti-slip fabric used in loose backrests fixes the backrest to the seat by friction. Over time, friction affects the fabric's relief, thus reducing its anti-slip functionality.

- To prolong the product's life, we recommend wiping the non-slip fabric with a damp cloth to reduce dust accumulation.
- When moving the backrest, avoid dragging it across the sofa's surface, try lifting it and reposition it.

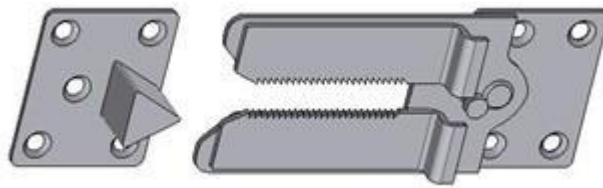


If you have any questions, please contact our service channels on the website:
www.meucentury.com/en

2. CONNECTORS

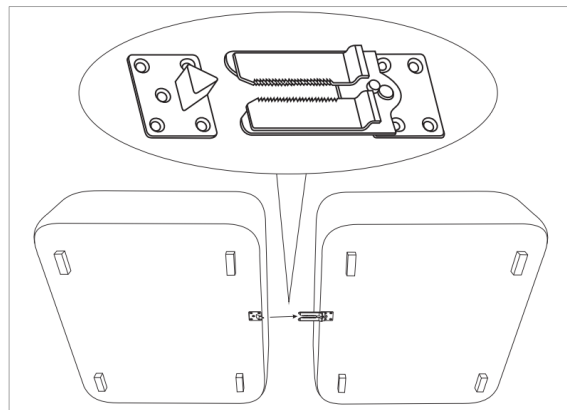
Your sofa can have four types of connectors. Identify which one is present on your module and follow the instructions below.

2.1 Snap Connector

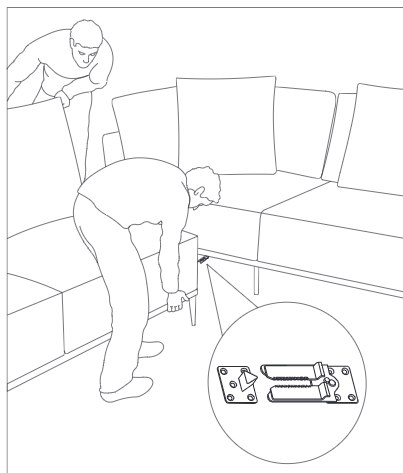


Snap Connector.

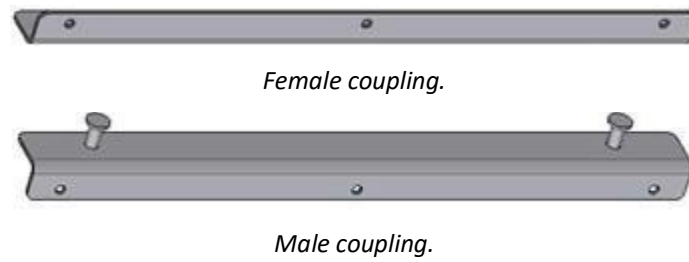
- a. Align the modules to be connected.



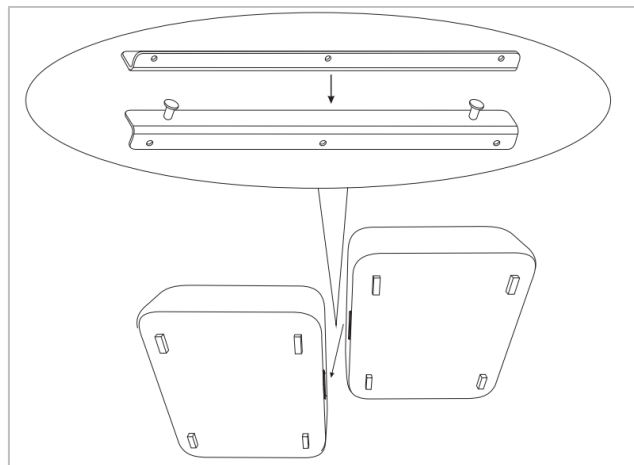
- b. Push one module towards the other so that the coupling connects.



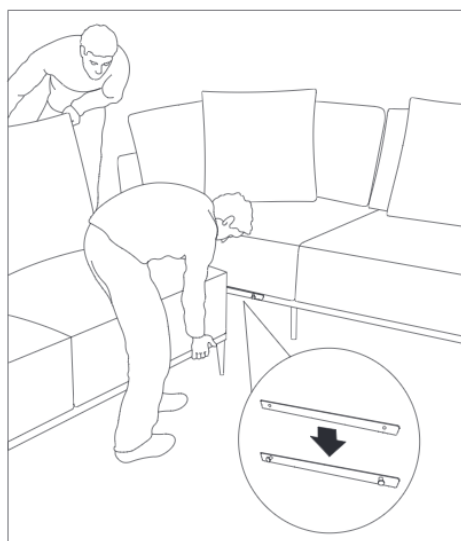
2.2 Male/Female



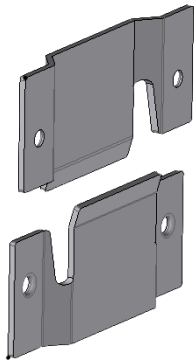
- a. Align the modules to be connected.



- b. Lift the aligned modules so the male connector's pin fits into the female connector's opening. Carefully lower the modules that are already attached.

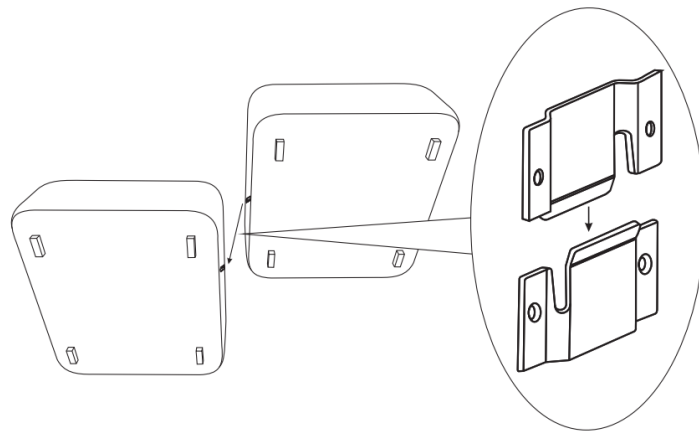


2.3 Cross Arm Brace Connector

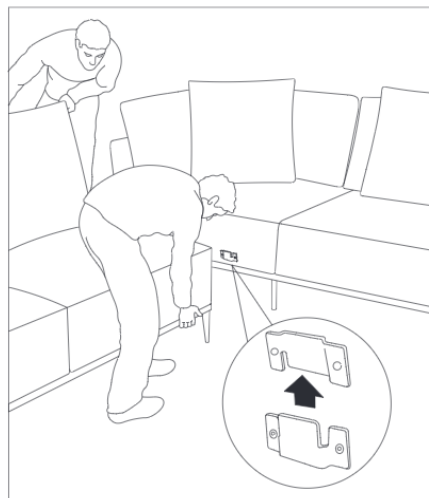


Cross Arm Brace Connector.

- a. Align the modules to be connected.



- b. Lift one of the aligned modules so that one connector fits into the other and carefully lower the already attached module.

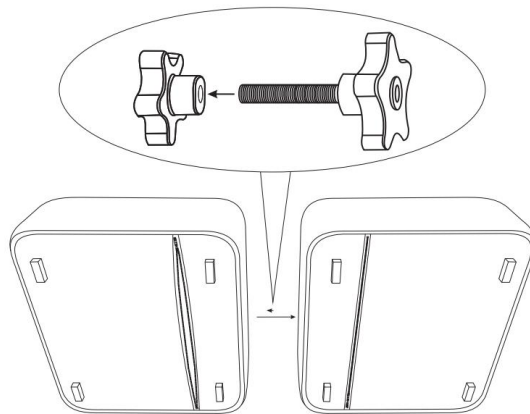


2.4 Threaded Rod

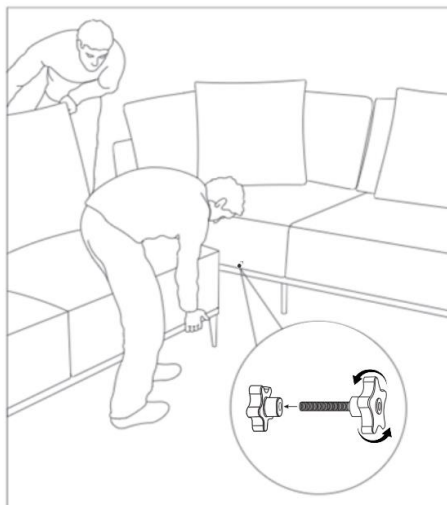


Threaded Rod coupling.

- a. Align the two modules and open the NW (Non-Woven Fabric) zipper at the bottom, identify the module with the screw, and put it through the hole on the inside of the sofa.



- b. Thread the handle onto the screw to connect the two modules and close the zipper.

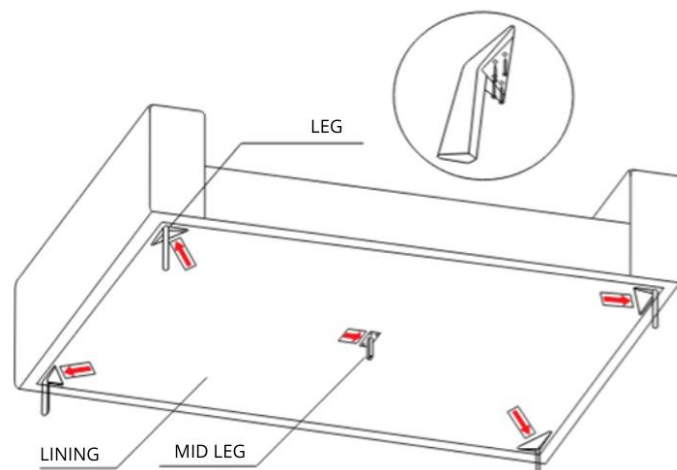


3. LEGS AND BASE

If your sofa comes with separate legs or base, follow these instructions for fixing it.

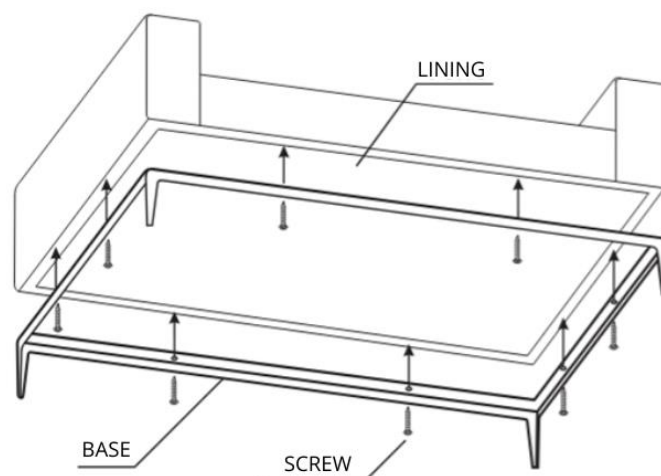
3.1 Legs

Check that the number of legs matches the number of arrows glued to the lining. Attach the legs by screwing them to the underside of the sofa.



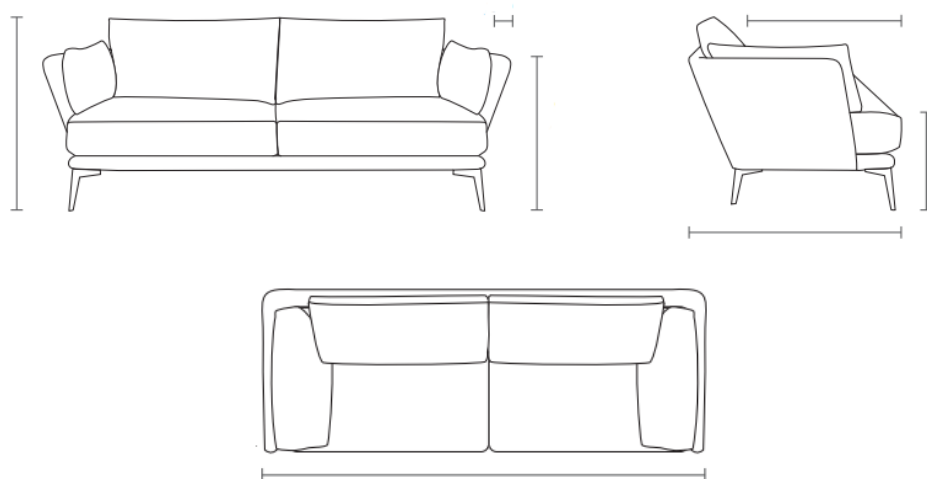
3.2 Base

Place the base on the underside of the sofa and fix the screws in the places indicated for your model.

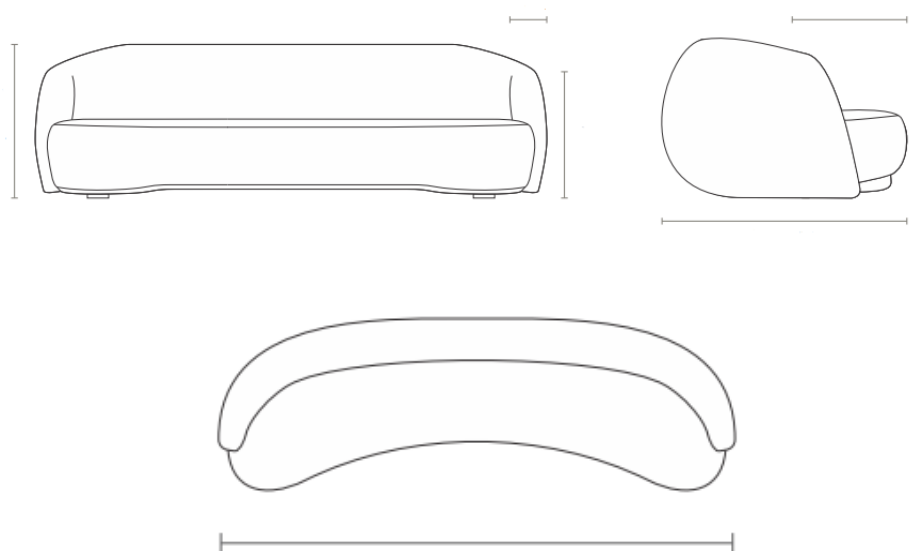


4. HOW TO MEASURE YOUR LIVING ROOM SOFA

To measure your product, consider the two most extreme points to determine the length and depth.



In the case of curved products, consider the two most extreme points for measurement.



If you are unsure of the correct measurement position, always consult the sketches in the datasheet, observe the measurements of each module, and follow the indicated dimensions.



meucentury.com | [@meucentury](https://www.instagram.com/meucentury)