

**MANUAL**  
RETRACTABLE/ARTICULATED  
SOFAS

Century

Summary	
DEFINITIONS .....	3
COMFORT TECHNOLOGIES AND GUIDELINES .....	3
• SLIM ®.....	3
• EasyFit ®.....	3
• COZY ® .....	4
1. TECHNICAL INSTRUCTIONS AND CARE .....	5
1.1 Instructions for receipt, transportation, and use.....	5
1.2 Instructions for excess of fabric .....	8
1.3 Pillow instructions.....	9
2. CONNECTORS.....	10
2.1 Snap Connector.....	10
2.2 Male/Female .....	11
2.3 Cross Arm Brace Connector.....	12
2.4 Threaded Rod.....	13
3. OPERATION OF MOTORIZED AND MANUAL RETRACTABLE SOFAS.....	14
3.1 Motorized Retractable Sofa .....	14
3.1.1 Identification of Controls.....	14
3.1.2 Seat positioning.....	14
3.1.3 Configure the function .....	14
3.1.4 Use of the mechanism.....	15
3.2 Manual Retractable Sofa.....	15
3.2.1 Identifying the mechanisms.....	15
3.2.2 Seat positioning .....	16
4. OPERATION OF SOFAS WITH ARTICULATED BACKRESTS.....	17
4.1 Position adjustment .....	17
5. HOW TO MEASURE YOUR ARTICULATED SOFA.....	18

## DEFINITIONS

Mobile sofas can be retractable, articulated, or both. Understanding these two terms' differences will help you better understand the product and how to use it.

**Retractable sofas** have movable seats, like the famous sofa beds. They can be motorized or manual and are incredibly comfortable and versatile.

**Articulated Sofas** have a movable backrest that can be adjusted to maximize comfort. They work utilizing a ratchet at the back of the backrest. The fabric of the backrest can be separated from the rest of the sofa or attached to it; in the latter case, excess fabric is needed to allow the backrest to move.

## COMFORT TECHNOLOGIES AND GUIDELINES

- **SLIM®**

A sofa with upright ergonomics is ideal for lobbies, halls, waiting rooms, and corporate environments.

**Features:**

SLIM® by Century sofas will always have an aligned appearance. When the user gets up, the sofa will return to the initial appearance of a smooth, straight sofa. SLIM® sofa cushions may become less full-bodied over time.

- **EasyFit®**

The ideal sofa for hectic, dynamic day-to-day life, it provides ergonomics for different moments. It is a highly versatile product used in environments with multiple styles and functionalities.

**Features:**

EasyFit® by Century sofas keep the seat aligned when you stand up, giving the product a "tidy" look. However, the sofa may become rough or have a "crumpled" appearance over time. To prolong the product's rectilinear appearance, the cushions should be adjusted periodically to return to a more aligned and intact shape. Over time, loose cushions can become a little crumpled and less full-bodied, and they should be adjusted to prolong their useful life.

- **COZY®**

A sofa that provides perfect ergonomics for decompression and relaxation moments, with deep, relaxed seating.

**Features:**

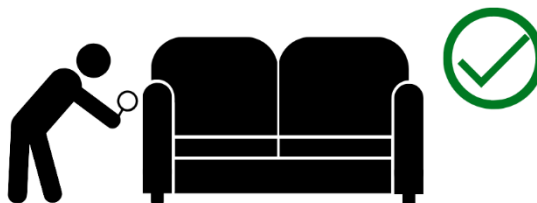
The Cozy® by Century sofa will always have a rough appearance when the user gets up, with a rough crumple. This is part of the product! You need to give your cushions a feel when they are out of alignment, adjusting the inner foam over time. Your cushions may look crumpled during everyday life.

*For more information on Century comfort styles, visit the Comfort Guide: [meucentury.com/en/comfort-guide/](https://meucentury.com/en/comfort-guide/).*

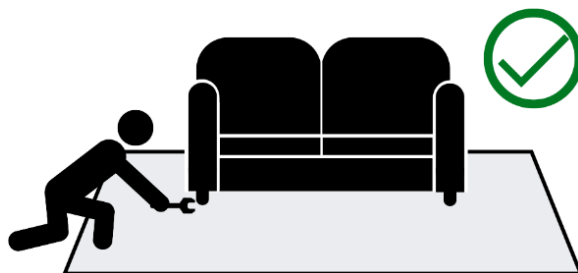
# 1. TECHNICAL INSTRUCTIONS AND CARE

## 1.1 Instructions for receipt, transportation, and use

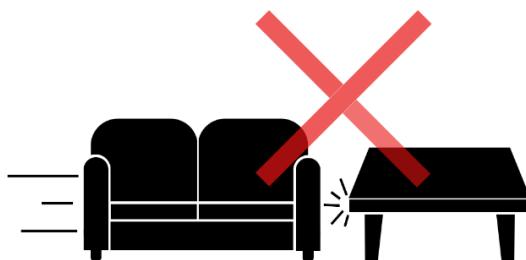
- Check that the product has arrived in good condition and, in case of any discrepancy or damage, contact the supplier promptly.



- If feet or bases are sent separately, check that the number of arrows corresponds to the number of fittings on the accessories received.
- It is advisable to line the floor before attaching the feet or base to prevent damage to the product.



- Avoid hitting and resting the product on sharp objects.



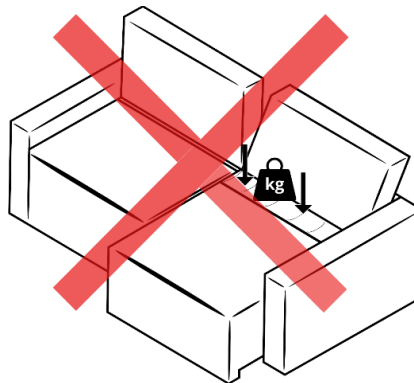
- Avoid sitting on the arms and backrests and jumping on the product.



- Do not use the product as a support or ladder.



- Avoid putting pressure or tension on the fabric that connects the seat to the backrest on retractable sofas.



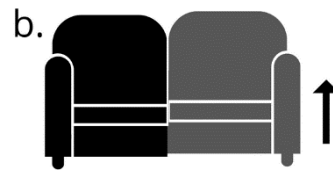
- Only move the sofa with the help of another person, lifting it by the edges.



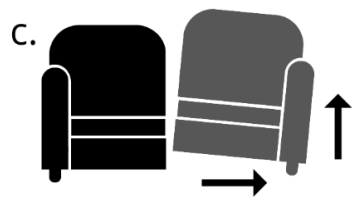
- In the case of separate modules, with the help of another person, unhook and transport each module individually, always lifting them by their ends.



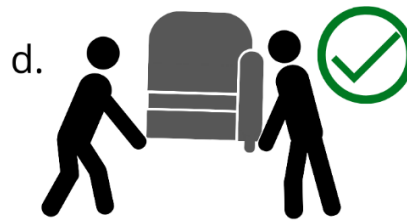
a. *Identify the coupling and the separation of the modules.*



b. *Lift one of the modules so that it disconnects the coupling.*



c. *After releasing the coupling, separate the modules.*



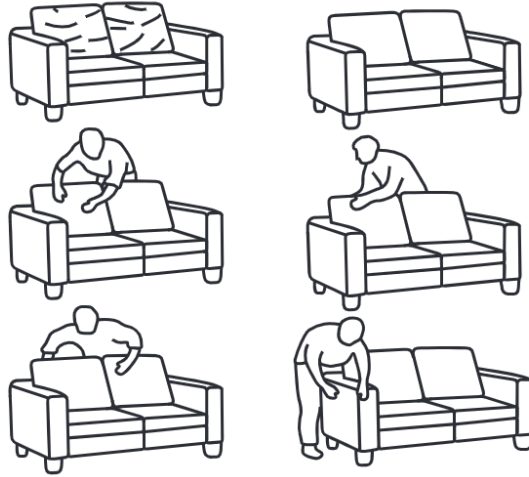
d. *Move with the help of another person.*

- Do not drag, pull, or lift only one side of the product to move it.

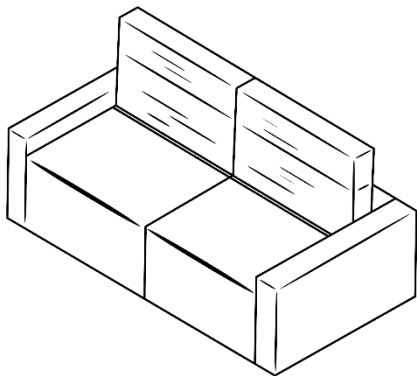


## 1.2 Instructions for excess of fabric

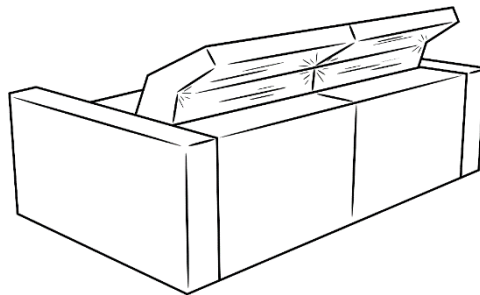
Some fabrics generate over time excess material more easily, which is not considered a defect. When you identify leftovers, smooth the fabric's surface so they are less apparent.



Articulated sofas whose backrest is connected to the underside of the sofa have excess of fabric to allow movement of the backrest and ratchet and prevent tension or tearing of the fabric.



*Wrinkled fabric with straight backrest.*



*Wrinkled fabric with reclined backrest.*



### 1.3 Pillow instructions

Your sofa cushions have different types of filling, such as goose down and fiber. Over time, the filling can accumulate in the central part of the cushion, creating a shapeless appearance. The material accumulates in specific parts and is not evenly distributed. To prolong the product's life, it is recommended to feel and press the middle of the cushion repeatedly to distribute the filling.



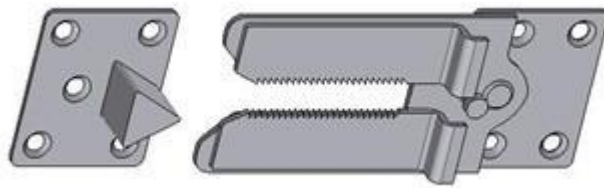
*Lightly tap your pillow to bring it back into alignment.*

If you have any questions, please contact our service channels on the website:  
[www.meucentury.com/en](http://www.meucentury.com/en).

## 2. CONNECTORS

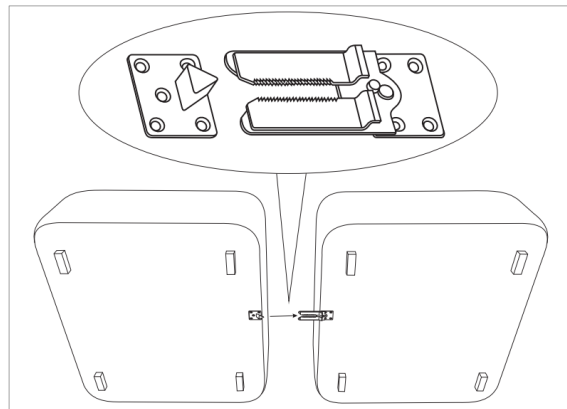
Your sofa can have four types of connectors. Identify which one is present on your module and follow the instructions below.

### 2.1 Snap Connector

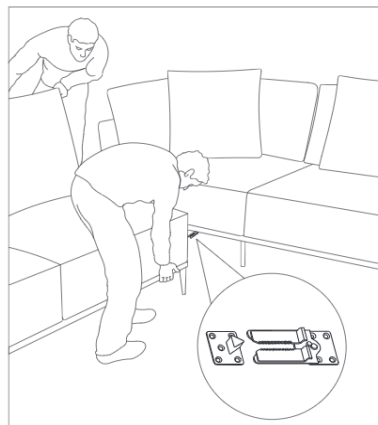


*Snap Connector.*

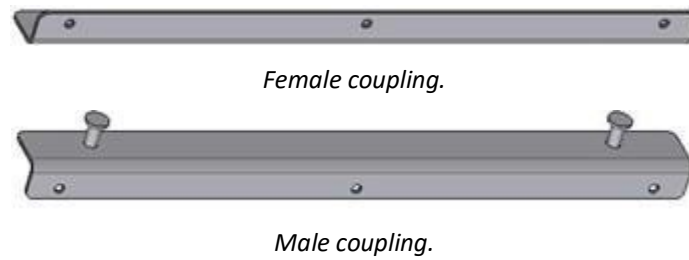
- a. Align the modules to be connected.



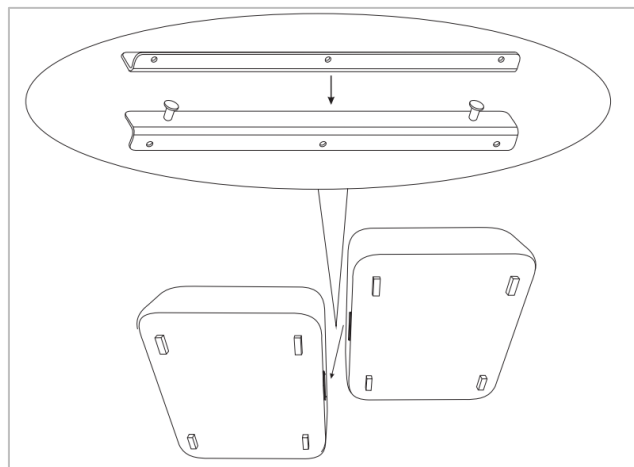
- b. Push one module towards the other so that the coupling connects.



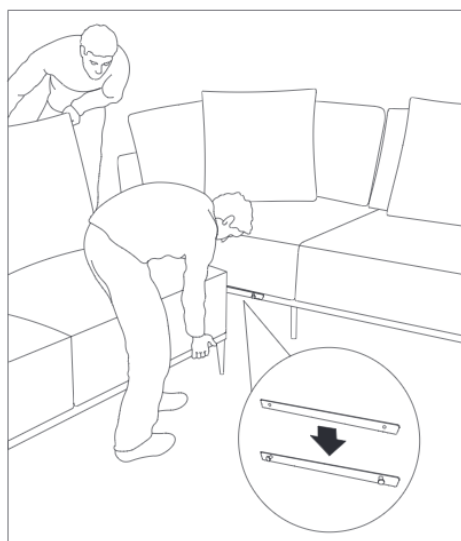
## 2.2 Male/Female



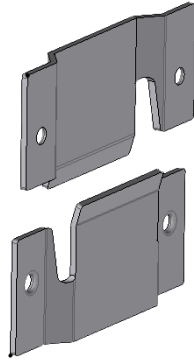
- a. Align the modules to be connected.



- b. Lift the aligned modules so the male connector's pin fits into the female connector's opening. Carefully lower the modules that are already attached.

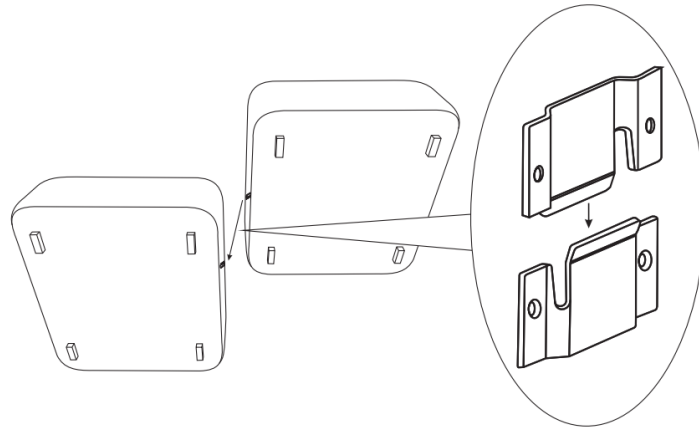


## 2.3 Cross Arm Brace Connector

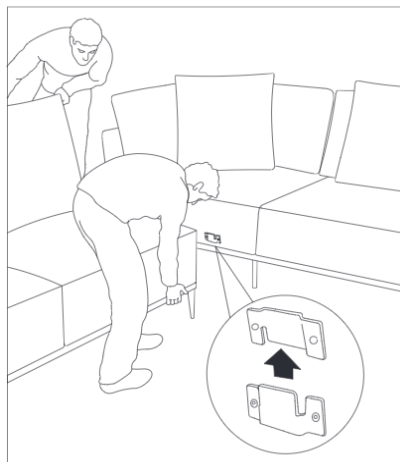


*Cross Arm Brace Connector.*

- a. Align the modules to be connected.



- b. Lift one of the aligned modules so that one connector fits into the other and carefully lower the already attached module.

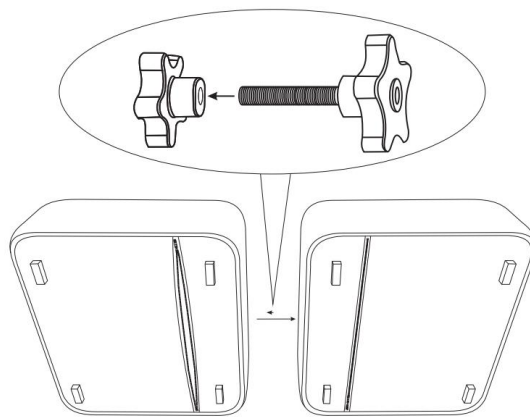


## 2.4 Threaded Rod

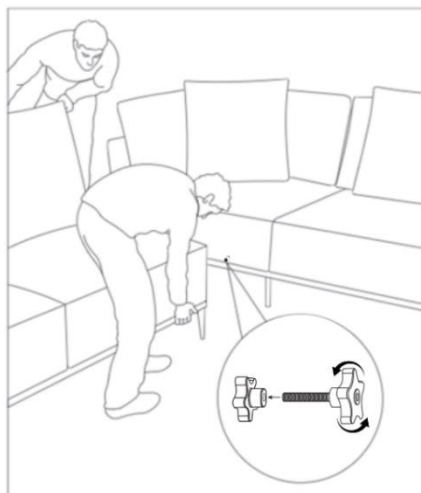


*Threaded Rod.*

- a. Align the two modules and open the TNT zipper on the underside of the product, identify the module with the screw, and put it through the hole on the inside of the sofa.



- b. Thread the handle onto the screw to connect the two modules and close the zipper.



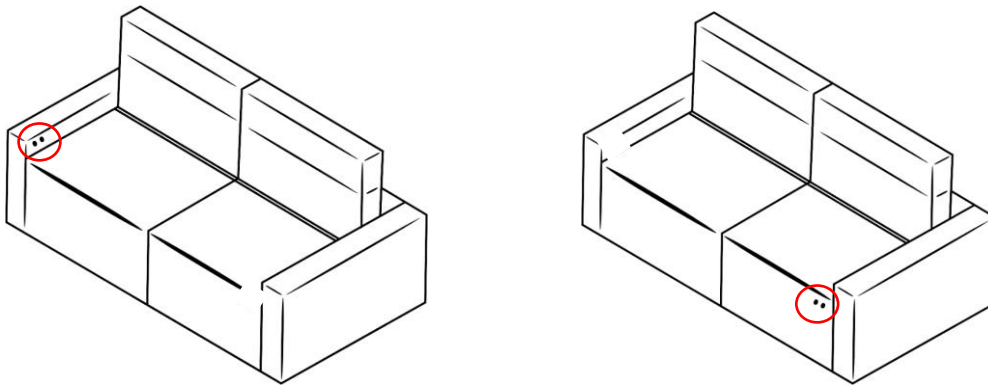
## 3. OPERATION OF MOTORIZED AND MANUAL RETRACTABLE SOFAS

Congratulations on your choice to buy a sofa with retractable seats! Sofas with this functionality offer comfort and versatility for your living room. This manual will give you detailed instructions on using sofas with electric and manual retractable seats correctly and safely, ensuring a satisfying experience.

### 3.1 Motorized Retractable Sofa

#### 3.1.1 Identification of Controls

Locate the seat adjustment buttons, which are next to the armrest. Familiarize yourself with the buttons and their functions.



*The buttons can be located on the side arms or the front of the seat.*

#### 3.1.2 Seat positioning

Check if the sofa seats are in the correct position before using the buttons. Check if the seats are pushed back, ensuring the electric mechanism works correctly during adjustments.

#### 3.1.3 Configure the function

Insert the modules and power connectors and plug the power supply into the socket. To set the function, plug the power cord into the socket and hold the two buttons together for 10 seconds. If you want to change the function again, repeat the same procedure. There are two types of functions:

### 3.1.3.1 Manual

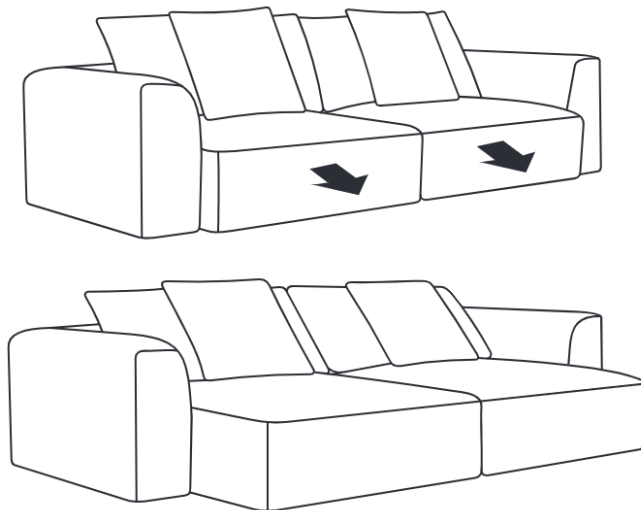
Press the button and keep it pressed until it is fully open.

### 3.1.3.2 Automatic

Press the button once, and the sofa will open fully automatically. To stop, touch any of the buttons.

## 3.1.4 Use of the mechanism

The electric buttons allow users to adjust the sofa seats according to their preferences. The front or right button always opens the sofa, while the back or left button closes it. The buttons' operation follows the configuration of the chosen function.



## 3.2 Manual Retractable Sofa

### 3.2.1 Identifying the mechanisms

Check that your sofa with manual retractable seats has the correct seat adjustment mechanisms. There are three types of mechanisms:

#### 3.2.1.1 Lever mechanism

To identify this mechanism, check for a lever or button on the underside of the product's seat. Once you have found it, pull the lever and place the seat straight or

fully extended. If your sofa has a lever mechanism, avoid lifting the seat or pushing it, always use the button to move the seat.

#### 3.2.1.2 Lifting mechanism

To identify this mechanism, lift the seat slightly and check its movement. If your sofa has a lift mechanism, lift the seat and place it in the start or fully extended position.

#### 3.2.1.3 Two positions

To identify this mechanism, pull lightly on the seat. If your sofa has two-position mechanisms, pull the seat out or push it in, restricting it to two positions. For this sofa, avoid abruptly lifting or forcing the seat.

### **3.2.2 Seat positioning**

As with motorized retractable sofas, check that the sofa seats are in the correct position before using the manual mechanisms. Check that the seats are pushed back, ensuring the manual mechanisms work correctly during adjustments.



## 4. OPERATION OF SOFAS WITH ARTICULATED BACKRESTS

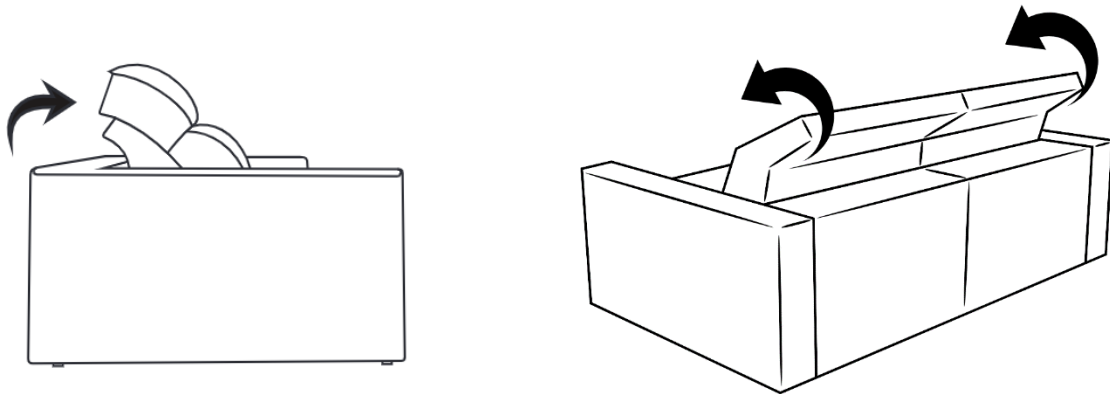
### BACKRESTS

Congratulations on your choice to buy a sofa with an adjustable backrest! Sofas with this functionality offer comfort and versatility for your living room. This manual will provide detailed instructions on using sofas with articulated backrests correctly and safely, ensuring a satisfying experience.

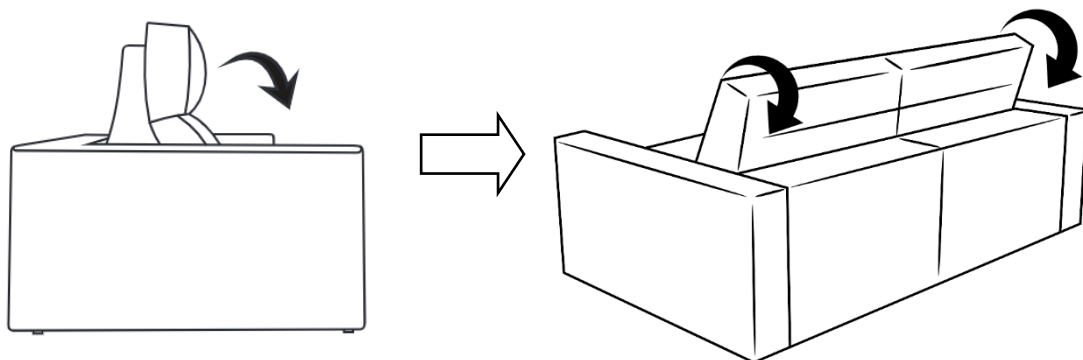
#### 4.1 Position adjustment

To adjust your product, follow these steps:

- a. Raise the backrest to the desired position. The ratchet should lock automatically and hold the backrest in the chosen position.

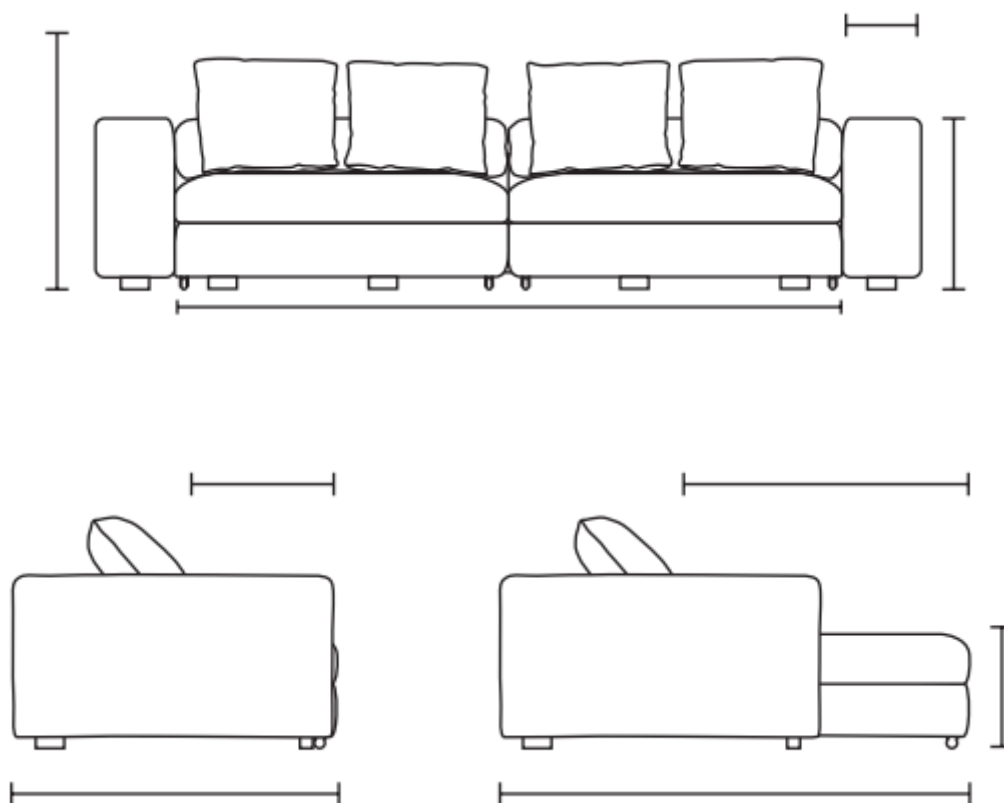


- b. To unlock, push the backrest down, as the arrow indicates, and return to the horizontal position.



## 5. HOW TO MEASURE YOUR ARTICULATED SOFA

To measure your product, always consult the sketches in the commercial technical sheets, observe the measurements of each module, and follow the indicated dimensions.





[meucentury.com](http://meucentury.com) | [@meucentury](https://www.instagram.com/meucentury)