

MANUAL
LIVING SOFAS

Century

TECHNICAL INSTRUCTIONS AND PRECAUTIONS

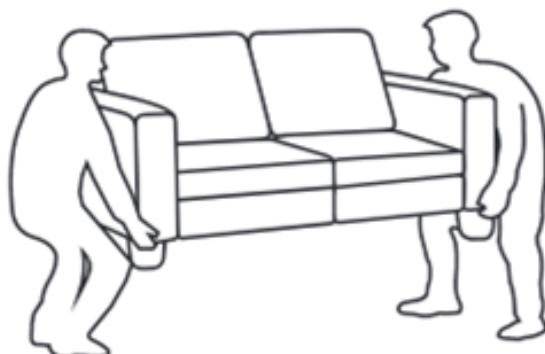
- It is recommended to line the floor to avoid damaging the product when attaching the legs or base.
- Check that the number of legs received is in accordance with the number of arrows identified on the lining.
- Avoid bumping and resting the product on objects with sharp edges.
- Avoid sitting on the armrests and backrests and jumping on the product.



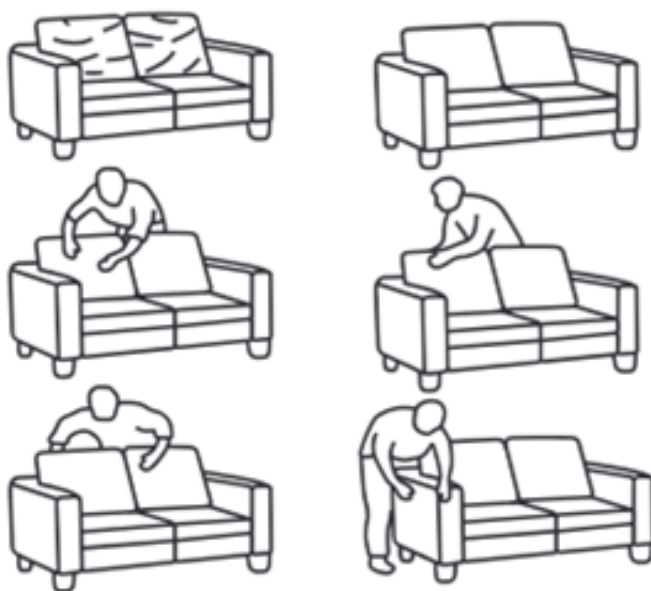
- Do not use the product as a stand or ladder.
- Do not jump on the sofa.
- Do not drag or lift only one side of the product to move the product.



- When moving the sofa, move together with another person, lifting both ends of the module.



- Some fabrics generate excess material more easily, as this is a characteristic of this material and is not considered a defect. Smooth the surface of the fabric so that excess material is less apparent.



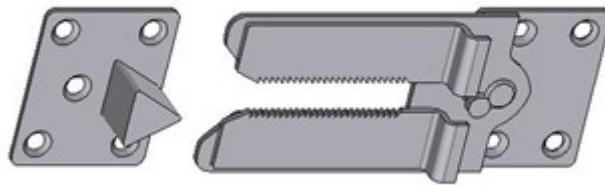
- In case of doubts, please contact us through our service channels available on the website: www.meucentury.com.

CONNECTORS/COUPLINGS

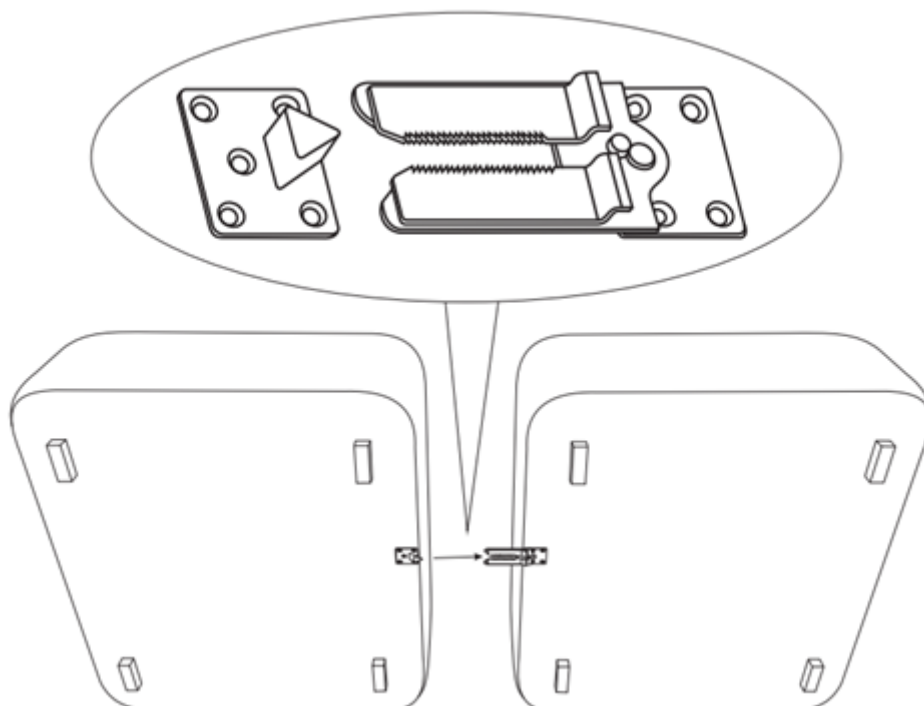
There are four types of connectors on your living sofa, identify which one is present on your module and follow the instructions .
Connectors/couplings are already installed.

- Snap Connector
- Male / Female
- Cross Arm Brace Connector
- Threaded Rod Connector

1- Snap Connector



Align the modules to be connected.



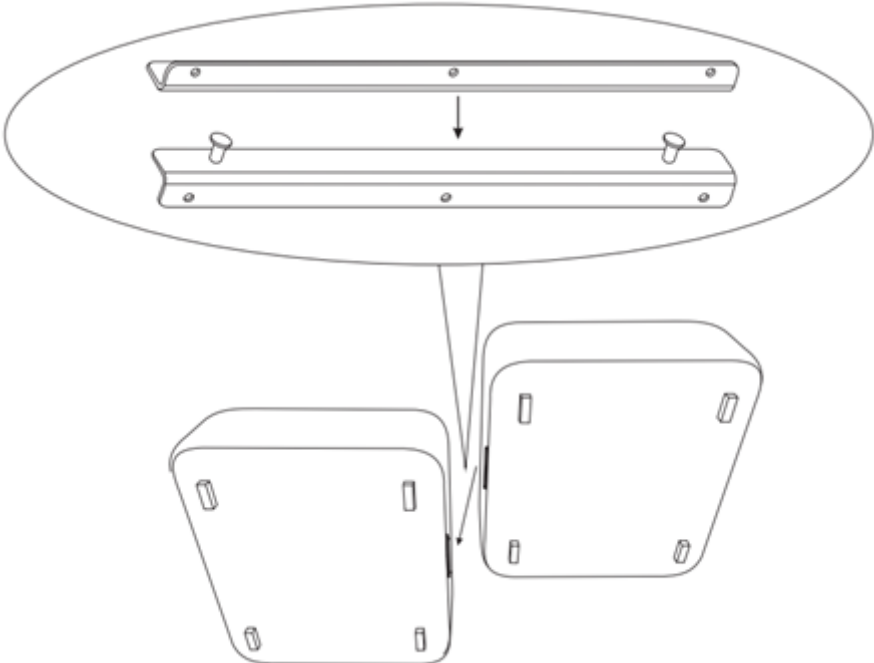
Push one module towards the other so that the connector engages.



2- Male/Female



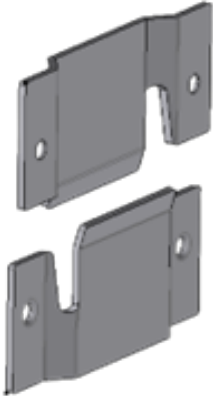
Align the modules to be connected.



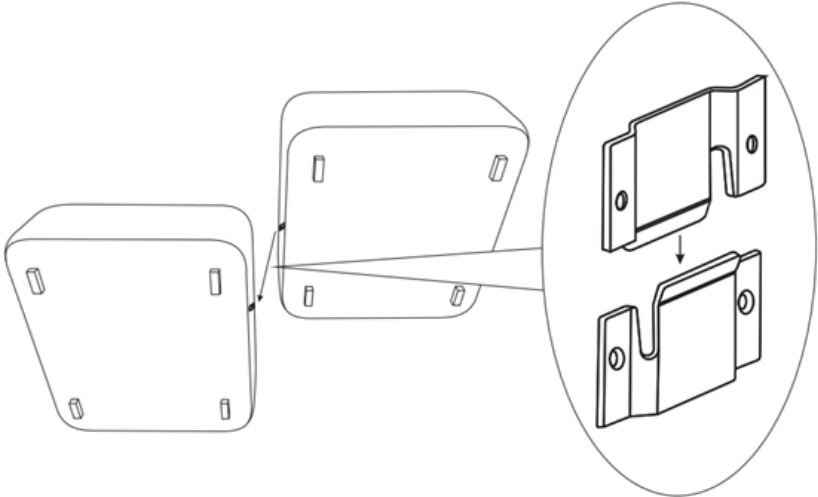
Lift the aligned modules so that one connector engages the other and carefully lower the already engaged modules.



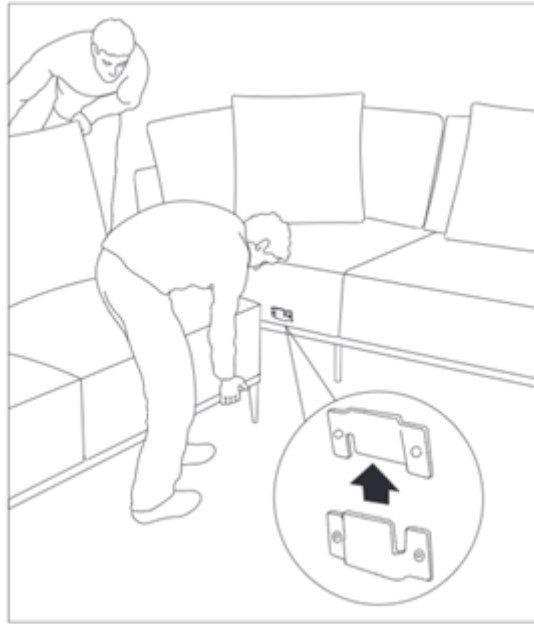
3- Cross Arm Brace Connector



Align the modules that will be connected.



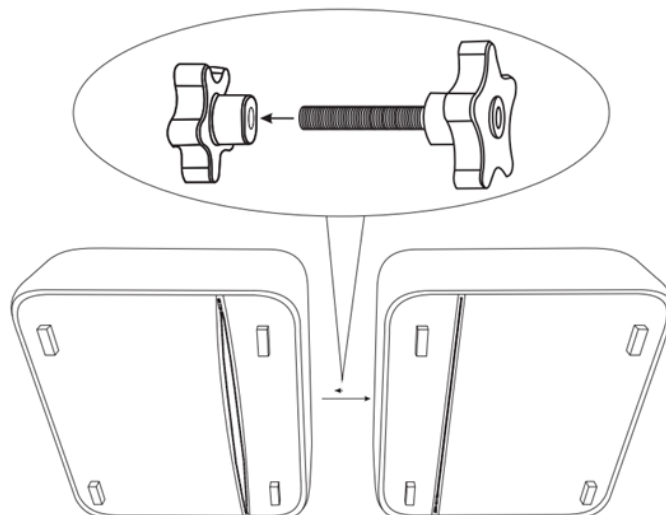
Lift one of the aligned modules so that one connector fits into the other and carefully lower the already engaged module.



4- Threaded Rod



Position the sofas with the bottom facing sideways, align the two modules and open the NW (Non-Woven Fabric) zipper located at the bottom of the two modules, position one side of the connector on one of the modules and thread through the hole, located on the inside of the sofa.



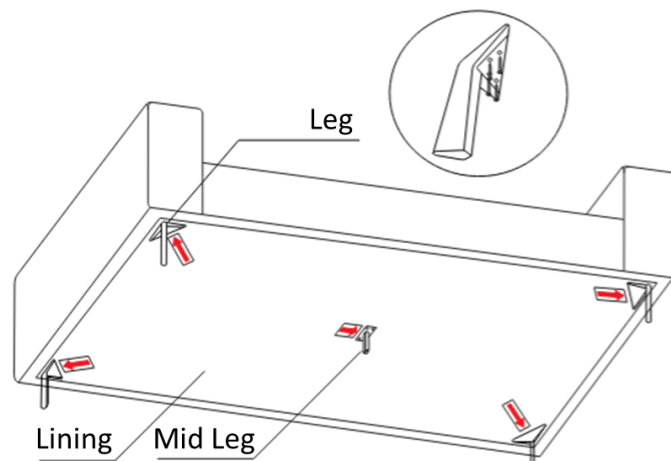
Thread the handle onto the screw to connect the two modules and close the zipper.

LEGS AND BASE

In case your sofa comes with separate legs or base, please follow these instructions to install it.

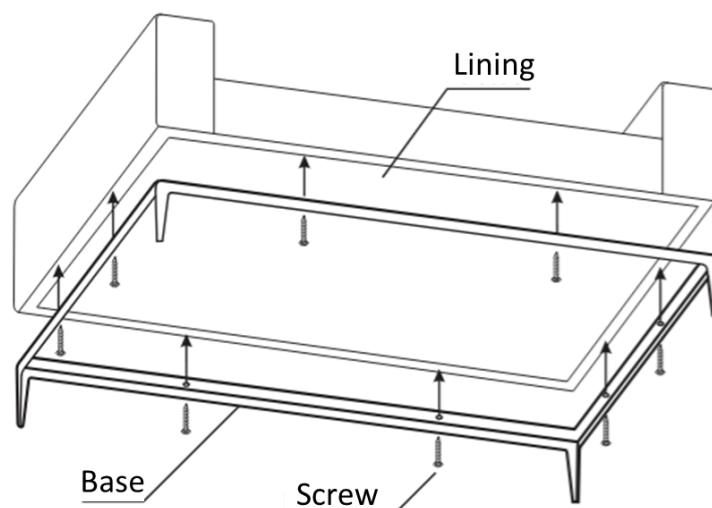
1- Legs

Check that the number of legs matches the number of arrows glued to the lining. Fix the legs by screwing them onto the underside of the sofa.



2- Base

Coloque a base na parte inferior do sofá e fixe os parafusos nos locais indicados do seu modelo.

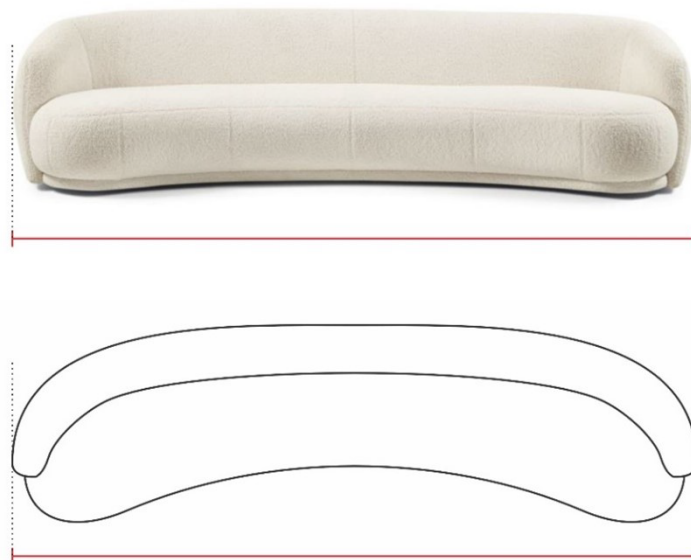


HOW TO MEASURE YOUR PRODUCT

In order to measure your product, consider the two outermost points to determine the length and depth.



In cases of products with a curved design, also consider the two outermost ends to take the measurement.





meucentury.com | [@meucentury](https://www.instagram.com/meucentury)